

Computer Security

Commercial and GSA Price
Book and Specification Guide

Version 6.0 - **Section 4b**
Effective January 1, 2015

Rev. 2017-01



Commercial Terms & Conditions

Payment Terms: Deposits are required for all 1st time orders and until credit has been established. Datum's standard terms are NET 30, and Datum does offer prompt pay discounts. All invoices and payments in U.S. dollars.

Pricing: All prices shown are F.O.B. Emigsville, PA 17318-0355 and are subject to change without notice. See separate contract for GSA pricing, terms and conditions.

Minimum Order: \$100 (net). Any order less than \$100 net will be subject to a \$25.00 net service charge.

Shipping: All orders are shipped best way, prepaid and add, unless otherwise noted. Inside delivery, liftgate, 2-man delivery and call-before delivery are available for an additional charge. Please consult factory for additional pricing information.

Ordering Instructions: All orders must be in writing and accompanied by a purchase order number. Quantities, part numbers, paint, and laminate colors must be clearly noted on order. All orders will be confirmed with a written acknowledgment. MobileTrak® orders must have signed layout approval for order placement.

Changes to orders: Once an order has entered the production schedule, any changes to that order will be subject to a 25% restocking fee and extended lead time.

Design Service: Datum Storage Solutions offers complete layout-planning services at \$75.00 per hour.

Standard Paint Colors: Products are available in 8 standard paint colors, unless otherwise noted. Other colors may be subjected to an extended lead-time; please consult factory for more information. Datum's state-of-the-art electrostatic powder coat has the capability to paint virtually any color. Minimum upcharge: \$300.00 NET. Please contact the factory for more information.

Datum will only accept returns according to the Cancellation & Returns Policy on the following paint finishes: T15, T47 and T86.

Design Ownership: All designs, plans, layouts, drawings, and specifications are the property of Datum Storage Solutions and may not be used, reproduced or distributed, in whole or part, without prior written consent.

Freight Charges: All shipments will be pre-pay and add unless otherwise specified. Freight charges will be added to the invoice or billed separately, depending on arrangements. Selection of the delivering carrier will be made by Datum Storage Solutions. All freight charges, except carrier's minimums, non-direct and intrastate, will be discounted. Datum Storage Solutions participates in various discount programs with carriers. Any remaining discount amounts not credited to the buyer are used to offset handling, processing, packaging, and related administrative expenses. Buyer has the option of selecting their own carrier, F.O.B. Shipping Point. If this option is selected, shipment must go Freight Collect or third party, and Datum Storage Solutions' responsibilities end when the order leaves our dock. A per-package handling charge of \$10.00 may be added for UPS and FedEx shipments. Datum Storage Solutions is not responsible for brokerage, customs, warehousing or any other fees associated with international shipments.

Weight: Weights shown are approximate and do not include dunnage.

Freight Claims: Datum takes the utmost care when packing our product to prevent shipping damage. It is your responsibility to note on the freight carrier's delivery receipt any damage incurred while in transit. All damage claims must be submitted by you with the carrier.

Concealed damage must be reported to Datum and/or the freight carrier in less than 15 days from the receipt of shipment. If concealed damage is reported in less than 15 days, the carrier and Datum will absorb two third's of the net product cost, the balance of the cost for the replacement product will be billed to the dealer under the original purchase order number. All damage claims must be submitted by you with the carrier.

All concealed damage claims reported after the 15-day time limit become the responsibility of the dealer. All concealed damage claims must be submitted by you with the carrier.

All product that is delivered to a warehouse or an installation facility must be inspected prior to delivering to end destination. If damage is reported after the product is moved, the dealer is responsible for filing the claim with the carrier. If damage is found prior to moving the product, after being signed clear, it must be reported in less than 15 days from delivery.

Concealed damage incurred by a third party carrier is not the responsibility of Datum Storage Solutions.

Note: Crating your product may reduce damage. Datum offers crating for a charge of \$75.00 per skid. Please contact the factory for details.

CAUTION: When you give a delivering carrier a clear receipt for a shipment in which there is damaged merchandise or a shortage, the carrier is relieved of further responsibility. DAMAGE AND SHORTAGE CLAIMS MUST BE FILED BY YOU WITH THE DELIVERING CARRIER. Datum Storage Solutions will not accept return merchandise damaged in transit. Your claim is with the delivering carrier.

Commercial Terms & Conditions, Continued

Cancellations & Returns: ORDERS FOR "SPECIAL" OR "CUSTOM" ITEMS ARE NOT SUBJECT TO CHANGE OR CANCELLATION. No returned merchandise will be accepted without written consent of Datum Storage Solutions. All returned shipments are to be freight prepaid by the shipper and are subject to a handling charge of 25% plus reimbursement of all original transportation charges incurred by Datum Storage Solutions. Once production of "non-stock" items has begun, cancellation of the order is subject to Datum Storage Solutions' approval and a 25% surcharge will be assessed on all approved cancellation items. Custom colors or laminate panels are not returnable.

Return authorization must be requested within 30 days of invoicing and no product may be returned without a prior written return authorization. All returns must be made within 30 days of receiving the written return authorization and are subject to a 25% restocking charge (\$20.00 minimum) plus all incurred freight charges. All returns must be in original packaging and in resellable condition for a credit to be issued. Datum will not issue return authorizations on product that has been assembled by the dealer or the end user.

NO GOODS ACCEPTED FOR RETURN WITHOUT PRIOR APPROVAL. Seller must have the right to inspect any goods claimed to be defective at Buyer's place of business or require Buyer to return the goods to the Seller for inspection on Seller's premises. Transportation charges covering returned goods will be borne by Seller only if such goods are proven to be defective.

Storage: Datum does not have the facilities to store completed orders, therefore all orders must ship when completed. If a postponement of product shipment is requested by the Dealer after the ordered goods are released to manufacturing or at a time when Datum is ready to ship the ordered goods, Datum may transfer the ordered goods to storage at the Dealer's risk and expense. This transfer to storage will be considered delivery to the Dealer for all purposes including invoicing and payment.

Replacements: Replacement requests for damaged or missing parts must be submitted to Datum within 30 days of receipt of product. Damaged product must be signed for, damaged or refused, and reported within 30 days of receipt of product. Replacement requests made after 30 days of receipt of order will be sent out at dealer cost plus freight.

Lifetime Warranty:* Datum Storage Solutions warrants to the original purchaser for the life of the product that it shall be free of any defect in materials or workmanship, so long as the original purchaser is the owner and possessor of the product and the product is installed by a Datum Certified Installer. **For a period of two years from the date of shipment, Datum Storage Solutions will provide all labor free of charge** at the location of the product to repair or replace any part that fails because of such defects. After two years from date of shipment, labor will no longer be provided. All replacements parts will be supplied for the life of the product so long as all requirements are met as set forth in this warranty. This warranty does not include defects to the product resulting from accident, misuse, improper installation or operation, normal wear, neglect, unauthorized repair or alteration. The purchase of this product shall constitute a purchaser's agreement that the sole remedy for any breach of warranty shall be such repair or replacement as expressly provided above. In no event shall Datum Storage Solutions be liable for any incidental or consequential damages arising out of the use or inability to use the product for any purpose whatsoever. Effective January 1, 2015.

ANY PRODUCT NOT INSTALLED BY A DATUM CERTIFIED INSTALLER WILL RECEIVE A ONE-YEAR PARTS WARRANTY.

Contact Datum Storage Solutions for a Datum Certified Installer in your area.

*Lifetime Warranty excludes all tambour doors and all electrical components, which carry a two-year warranty.
Excludes all sales outside of the contiguous 48 states, Canada and Mexico.



General Service Administration Terms & Conditions Authorized Federal Supply Schedule

Datum Filing Systems, Inc. / dba Datum Storage Solutions Contract GS-28F-005BA

- Supply Schedule FSC Group 71, Part 1 – Office Furniture
- Contract Period: November 5, 2013 through November 4, 2018
- Datum Storage Solutions Cage Number – 0A9H7
- Datum Storage Solutions DUNS # 061974549
- Datum Storage Solutions Federal ID Number – 11-2156739
- Datum is a Small Business and registered in S.A.M.
- Datum Storage Solutions is on GSA Advantage. To purchase Datum products on GSA go to:



- Special Item Numbers:
 - SIN 711-2 Computer Furniture (Technical Furniture)
 - SIN 711-3 Filing & Storage Shelving (Ez2® Rotary Action File, 4Post™ Shelving and Computer Security)
 - SIN 711-7 High-Density, Movable Filing Systems (ThinStak®, TrakSlider™ and MobileTrak®)

Contact Datum for discounting.

- SIN 711-94 Design Services (if used, \$75.00/Hour)
- SIN 711-95 Installation-related Services
- Maximum Order: \$500,000.00 Net
- Minimum Order: \$100.00 Net
- Geographic Coverage: Worldwide
- Point of Production: Emigsville, PA 17318
- Discount from List Price:

57.9%	\$100.00 – \$74,999.00
60.1%	\$75,000 – \$500,000.00
- Prompt Payment Discount Terms: ½% 20 Days, Net 30 Days
- Government Purchase Cards are accepted.
- Foreign Items: None
- Delivery: 30-90 Days ARO, expedited and overnight delivery not on contract.
- Shipping Terms: F.O.B. Origin, Freight Prepay and Add. Contact Datum for freight quotes.
- ORDERING & PAYMENT ADDRESS:

Datum Filing Systems, Inc. dba/ Datum Storage Solutions
 89 Church Road
 P.O. Box 355
 Emigsville, PA 17318-0355

Phone: 800-828-8018
 Fax: 888-345-4641
www.datumstorage.com
gsa@datumstorage.com

Datum Filing & Storage products on GSA contract are denoted with a single asterisk in the Table of Contents. Additionally, all Datum products in this Price Book are on GSA unless noted with a "NOT ON GSA" banner across the page or an asterisk after the item number and corresponding asterisk with "Item is not available in GSA contract". Pages containing product on GSA will have a GSA logo on the bottom outside corner of the page.



General Service Administration Terms & Conditions Authorized Federal Supply Schedule

- Warranty Information: Datum Storage Solutions warrants to the original purchaser for the life of the product that it shall be free of any defect in materials or workmanship, so long as the original purchaser is the owner and possessor of the product and the product is installed by a Datum Certified Installer. **For a period of two years from the date of shipment, Datum Storage Solutions will provide all labor free of charge** at the location of the product to repair or replace any part that fails because of such defects. After two years from date of shipment, labor will no longer be provided. All replacements parts will be supplied for the life of the product so long as all requirements are met as set forth in this warranty. This warranty does not include defects to the product resulting from accident, misuse, improper installation or operation, normal wear, neglect, unauthorized repair or alteration. The purchase of this product shall constitute a purchaser's agreement that the sole remedy for any breach of warranty shall be such repair or replacement as expressly provided above. In no event shall Datum Storage Solutions be liable for any incidental or consequential damages arising out of the use or inability to use the product for any purpose whatsoever. Effective January 1, 2015.
- Export Packaging: Not included in contract
- Datum accepts government purchase cards.
- Rental, Maintenance and Repair: Not Applicable
- Terms of Installation Service: For orders with a NET value of \$500.00 or less, the install price is \$75.00. Installation charges for orders with a NET value over \$500.00 will need to be negotiated between the Datum dealer and the customer
- Cancellation Policy: Cancellation must be submitted in writing and approved by Datum Storage Solutions. No charge prior to production. After production has begun only actual cost incurred will be billed to the government that cannot be recovered through resale in six months.
- Return/Restocking Policy: Datum Storage Solutions will accept the return of non-custom merchandise after shipment with prior authorization from Datum. Request must be submitted within 30 days of receipt of product. Product must be returned to Datum in resellable condition within 30 days after getting authorization from Datum. Returns will be subject to a 20% restocking charge, plus freight.

Carts

- Carts are available in any of Intellerum's standard paint and laminate colors at an extended lead time.
- Dimensions include handle.
- See page 4 for additional accessories.

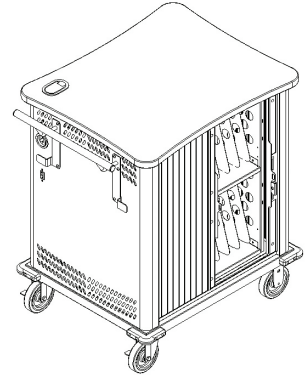
Laptop Cart™

Item #	Description	W	D	H	Est. Lbs.	List Price
CSC-PC20UL	20 capacity UL/CSA approved cart	35-1/4"	26-1/4"	37-1/2"	198	2,947.00
CSC-PC26UL	26 capacity UL/CSA approved cart	40-1/4"	26-1/4"	37-1/2"	218	3,230.00
CSC-PC32UL	32 capacity UL/CSA approved cart	46-3/4'	26-1/4"	37-1/2"	265	3,401.00

Compartment dimensions: 1-7/8W x 17"D x 12-3/4"H

Ships fully assembled except handle and dividers.

Stocked inventory only available in Light Gray (T47) paint with a Smoke Gray (L70) laminate top.

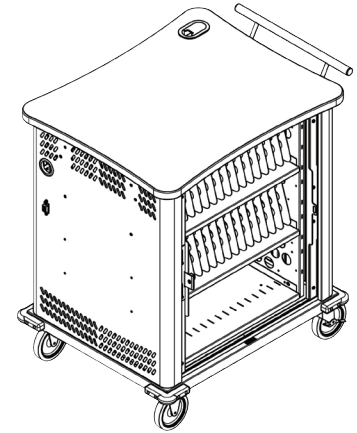


CSC-PC20UL

QwikLink Cart™

Item #	Description	W	D	H	Est. Lbs.	List Price
CSC-ICC16XLUL	16 capacity, charging, UL/CSA Approved	35-1/4"	26-1/4"	37-1/2"	185	3,579.00
CSC-ICC32XLUL	32 capacity, charging, UL/CSA Approved	35-1/4"	26-1/4"	37-1/2"	194	4,893.00
CSC-ICLC16XLUL	16 capacity, charging/syncing, UL/CSA Approved (iPad 1, 2 & 3)	35-1/4"	26-1/4"	37-1/2"	190	3,914.00
CSC-ICLC32XLUL	32 capacity, charging/syncing, UL/CSA Approved (iPad 1, 2 & 3)	35-1/4"	26-1/4"	37-1/2"	200	5,562.00
CSC-ICLC16XLULN	16 capacity, charging/syncing, UL/CSA Approved (all iPad generations) No cables incl.	35-1/4"	26-1/4"	37-1/2"	185	3,760.00
CSC-ICLC32XLULN	32 capacity, charging/syncing, UL/CSA Approved (all iPad generations) No cables incl.	35-1/4"	26-1/4"	37-1/2"	194	5,253.00
CSC-ICLC16XLUL4	16 capacity, charging/syncing, UL/CSA Approved (iPad 4 & mini)	35-1/4"	26-1/4"	37-1/2"	190	3,914.00
CSC-ICLC32XLUL4	32 capacity, charging/syncing, UL/CSA Approved (iPad 4 & mini)	35-1/4"	26-1/4"	37-1/2"	200	5,562.00

Compartment dimensions: 1-1/4"W x 11-3/8"D x 8-1/16"H



LED Status System for QwikLink™ Only

Item #	Description	Est. Lbs.	List Price
CSC-QLLED16	16 capacity LED status system (factory install)	2	134.00
CSC-QLLED16KIT	16 capacity LED status system kit (field install)	2	134.00

QwikLink™ Expansion Kits for QwikLink™ Only

Item #	Description	Est. Lbs.	List Price
CSC-ICCEXP	16 capacity charge only expansion kit (iPad 1, 2 & 3)	19	1,313.00
CSC-ICLCEXP	16 capacity charge/sync expansion kit (iPad 1, 2 & 3)	23	1,648.00
CSC-ICLCEXPN	16 capacity charge/sync expansion kit, (all iPads) No cables incl.	21	1,494.00
CSC-ICLCEXP4	16 capacity charge/sync expansion kit (iPad 4 & mini)	23	1,648.00

*Field installation only.

Mobile Computer Station

Item #	W	D	H	Est. Lbs.	List Price
CSC-MCS32	46-3/4"	26-1/4"	37-1/2"	234	2,839.00

*Ships fully assembled except handle and monitor mount.



Accessories: Laptop, QwikLink™, Mobile Computer Station

Item #	Description	Est. Lbs.	List Price
CSC-PWR	Optional Pop-Up Power Center*	2	194.00
CSC-H	Additional Handle/Cord Wrap*	3	103.00
CSC-SYPL	Masterlock® - Set yourself padlock*	1	50.00
MD	Metal doors, electronic lock included (factory installation)	1	223.00

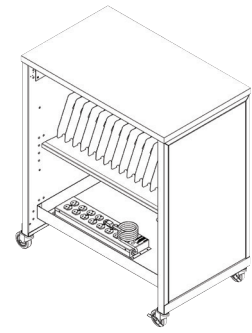
*Field installation only.

Economy & Media Carts

Economy Laptop Cart™

Item #	Description	W	D	H	Est. Lbs.	List Price
LTCE-PC16	16 capacity, non-charging	32-11/16"	19-7/8"	38-11/16"	158	790.00
LTCE-PC16TD	16 capacity w/locking tambour, non-charging	32-1/16"	19-5/8"	37-9/16"	190	1,244.00

Compartment dimensions: 1-3/4"W x 15"D x 14"H
Ships assembled with exception of dividers.

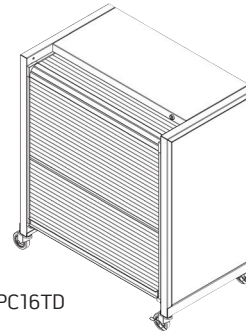


LTCE-PC16 with optional CSC-OS16

Accessory for Economy Laptop Cart™

Item #	Description	Est. Lbs.	List Price
CSC-OS16	Optional power strip for all LTCE models	5	228.00

Ships installed in cart.

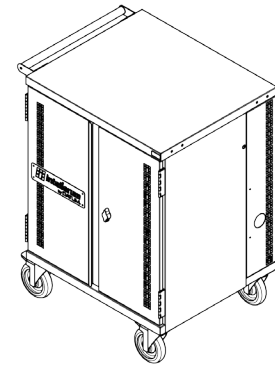


LTCE-PC16TD

TekCart GLC™

Item #	Description	W	D	H	Est. Lbs.	List Price
GLC-32	32-capacity, charging	27.5"	20.75"	34.5"	92	1,295.00

Compartment dimensions: 1.25"W x 13.45"D x 11.2"H
Ships assembled with exception of dividers.



GLC-32

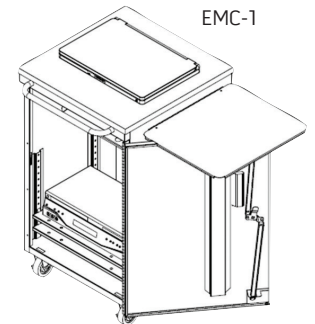
Media Carts

Item #	Description	W	D	H	Est. Lbs.	List Price
MMC-1	Mobile Media Cart	21-3/4"	22-3/4"	34-3/4"	120	1,244.00
EMC-1	Economy Media Cart	20-1/2"	23-1/8"	34-3/16"	115	963.00

*A/V equipment not included.



MMC-1



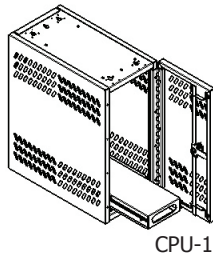
EMC-1

Accessories for Media Carts

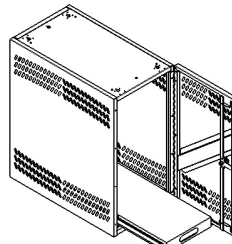
Item #	Description	W	D	H	Est. Lbs.	List Price
CSC-5	5" caster upgrade (field installation only)	N/A	N/A	N/A	15	171.00
AVC-WL	AV Cart wall lock	17-1/4"	2-1/4"	7.295"	10	168.00

CPU Lockers™					Interior Dimensions			Est. Lbs.	List Price
Item #	Description	W	D	H	W	D	H		
CPU-1	CPU security (hanging)	8"	16"	18"	5"	14"	13-1/2"	18	305.00
CPU-2	CPU security (hanging)	12"	22"	24"	9"	20"	19-1/2"	38	350.00
CPU-2.5	CPU security (hanging)	12"	32"	24"	9"	30"	19-1/2"	48	446.00
CPU-2M	CPU security (mobile)	12"	22"	27-5/8"	9"	20"	19-1/2"	32	418.00

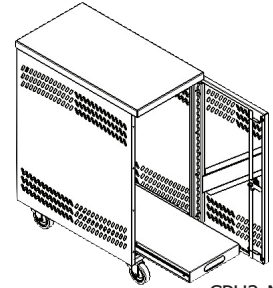
Ships assembled.



CPU-1



CPU-2/CPU-2.5



CPU2-M

Accessories for CPU Lockers

Suffix	Description	List Price
D	Random keys	23.00 NET
L	Left hinged door	NC
X	Double key door lock	85.00
F	4" muffin fan 55 cfm	226.00
NF	Fan cut out only, fan not included	28.00
NL	No lock option	-20.00
ND	Doorless unit	-35.00

Laptop Locker™

Item #	Description	W	D	H	Est. Lbs.	List Price
LTL-1	Key lock	16"	3-1/2"	13-13/16"	15	180.00
LTL-2C	Electronic lock	18"	3-1/2"	14-9/16"	21	418.00
LTL-2H	Padlock hasp	18"	3-1/2"	14-9/16"	21	214.00
LTL-2K	Key lock	18"	3-1/2"	14-9/16"	21	214.00

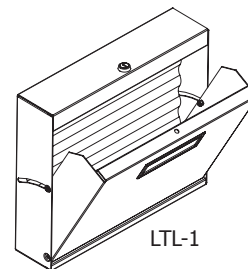
Interior dimensions for LTL-1: 15"W x 3"D x 11"H

Interior dimensions for LTL-2: 17-3/4"W x 3-3/8"D x 11-5/8"H

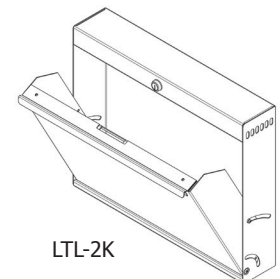
All units non-charging.

Padlock not included with LTL-2H.

Ships assembled.



LTL-1



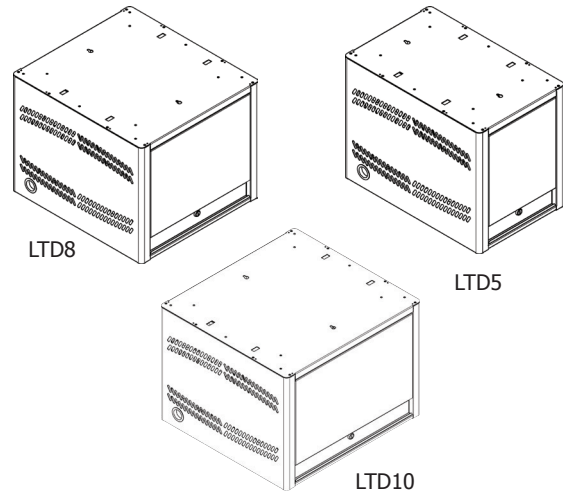
LTL-2K

Depots

Locking doors & UL/CSA approved power strip standard on all models.
 Compartment dimensions - 1-7/8"W x 17-1/2"D x 12-9/16"H
 Ships assembled w/exception of dividers.

Laptop Depot™

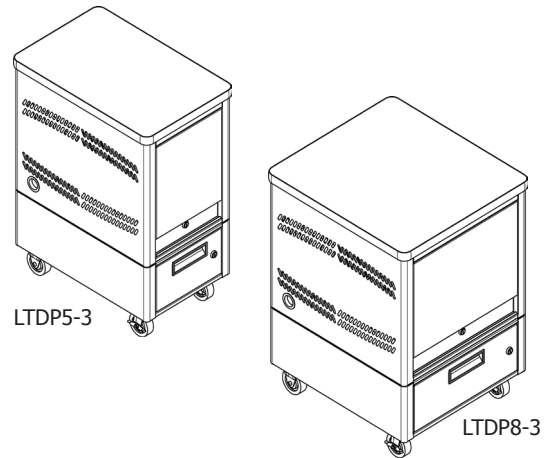
Item #	Description	W	D	H	Est. Lbs.	List Price
LTD5	5 capacity	14"	22"	17"	45	521.00
LTD8	8 capacity	20"	22"	17"	58	646.00
LTD10	10 capacity	24"	22"	17"	74	812.00



Laptop Depot Cart™ - 3" Caster

Item #	Description	W	D	H	Est. Lbs.	List Price
LTDP5-3	5 capacity	14-3/4"	22-3/4"	29-9/16"	65	1,045.00
LTDP8-3	8 capacity	20-3/4"	22-3/4"	29-9/16"	80	1,278.00
LTDP10-3	10 capacity	24-3/4"	22-3/4"	29-9/16"	104	1,362.00

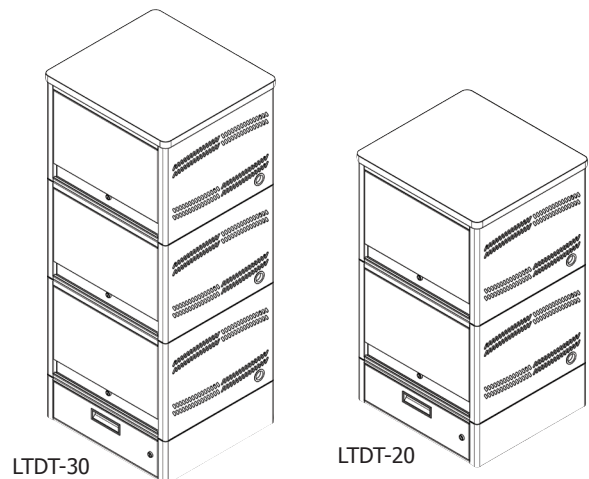
Locking drawer base, 1-1/8" laminate top.
 *All casters are 2 rigid/2 locking swivel.



Laptop Depot Tower™

Item #	Description	W	D	H	Est. Lbs.	List Price
LTDT-20	20 capacity	24-3/4"	22-3/4"	42-11/16"	198	1,925.00
LTDT-30	30 capacity	24-3/4"	22-3/4"	59-11/16"	256	2,640.00

Casters not available on the LTDT-30.
 Locking drawer base, 1-1/8" laminate top standard on all models.
 LTDT20 requires two power outlets to charge.
 LTDT30 requires three power outlets to charge.

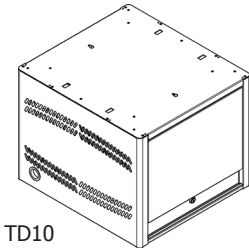


Depots (continued)

Locking doors & UL/CSA approved power strip standard on all models.
 Compartment dimensions - 7/8"W x 12"D x 7-13/16"H
 Ships assembled with exception of dividers.
 16 and 20-capacity units require two power outlets to charge.

Tablet Depot™

Item #	Description	W	D	H	Est. Lbs.	List Price
TD10	10 capacity	14"	22"	12-5/16"	32	569.00
TD16	16 capacity	20"	22"	12-5/16"	38	639.00
TD20	20 capacity	24"	22"	12-5/16"	54	779.00

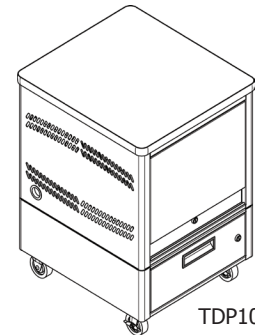


TD10

Tablet Depot Cart™ - 3" Caster

Item #	Description	W	D	H	Est. Lbs.	List Price
TDP10-3	10 capacity	14-3/4"	22-3/4"	25-3/8"	52	1,071.00
TDP16-3	16 capacity	20-3/4"	22-3/4"	25-3/8"	60	1,185.00
TDP20-3	20 capacity	24-3/4"	22-3/4"	25-3/8"	84	1,455.00

Locking drawer base.
 1/8" laminate top standard.
 Casters are 2 rigid/2 swivel locking.



TDP10-3

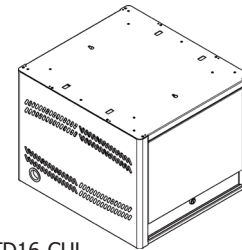
Depots (continued)

Locking doors & UL/CSA approved power strip standard on all models.
 Compartment dimensions - 15/16"W x 12"D x 7-13/16"H
 Cart models have locking drawer base and 1-1/8" laminate top.

QwikLink Depot™ - Charge Only

Item #	Description	W	D	H	Est. Lbs.	List Price
TD16-CUL	16 capacity	24"	22"	12-11/16"	60	1,748.00
TDP16-3CUL	16 capacity, 3" casters	24-3/4"	22-3/4"	25-1/4"	158	2,309.00

USB charging cables not included.
 Ships assembled w/exception of dividers

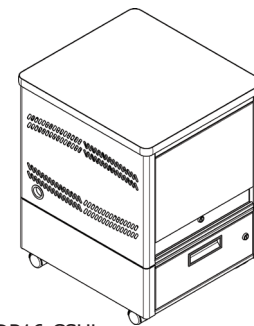


TD16-CUL

QwikLink Depot™ - Charge/Sync (iPad® 1, 2 & 3)

Item #	Description	W	D	H	Est. Lbs.	List Price
TD16-CSUL	16 capacity	24"	22"	12-11/16"	64	2,207.00
TDP16-3CSUL	16 capacity, 3" casters	24-3/4"	22-3/4"	25-1/4"	162	2,769.00

Factory supplied USB charge/sync cables included.
 Ships assembled w/exception of dividers and cables.



TDP16-CSUL

QwikLink Depot™ - Charge/Sync (All iPads®, no cables)

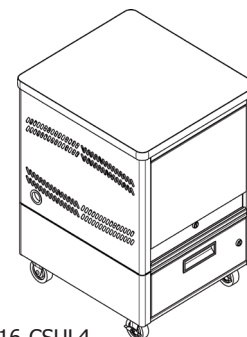
Item #	Description	W	D	H	Est. Lbs.	List Price
TD16-CSULN	16 capacity	24"	22"	12-15/16"	60	2,053.00
TDP16-3CSULN	16 capacity, 3" casters	24-3/4"	22-3/4"	25-3/8"	158	2,615.00

Ships assembled w/exception of dividers.

QwikLink Depot™ - Charge/Sync (iPad® Mini and Air)

Item #	Description	W	D	H	Est. Lbs.	List Price
TD16-CSUL4	16 capacity	24"	22"	12-15/16"	60	2,207.00
TDP16-3CSUL4	16 capacity, 3" casters	24-3/4"	22-3/4"	25-3/8"	95	2,764.00

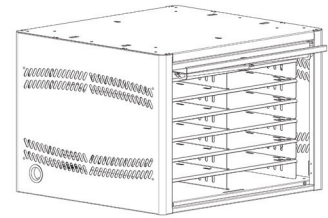
Factory supplied USB charge/sync cables included.
 Ships assembled with exception of dividers and cables.



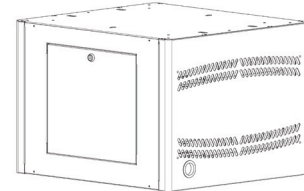
TDP16-CSUL4

Depots (continued)

Locking metal doors & UL/CSA approved electrical components standard on all models.
Compartment dimensions: 10"W x 12-1/2"D x 1.827"H
 Ships assembled with exception of shelves.



NBD12 front



NBD12 rear

Netbook Depot™

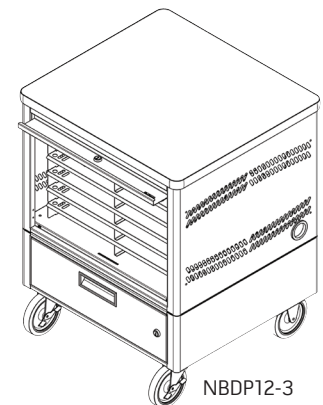
Item #	Description	W	D	H	Est. Lbs.	List Price
NBD12	12 capacity, locking metal door	24"	22"	17"	85	1,076.00

Mounts on or under work surface.

Netbook Depot Pedestal™

Item #	Description	W	D	H	Est. Lbs.	List Price
NBDP12-3	3" casters (2 rigid/2 locking swivel)	24-3/4"	22-3/4"	29-9/16"	120	1,622.00

Locking drawer base, 1-1/8" laminate top standard.



NBDP12-3

Options

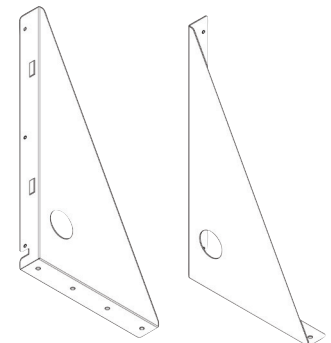
Item #	Description	Est. Lbs.	List Price
CSC-5	Upgrade to 5" caster	10	171.00

Available field install upgrade for 3" casters.

Depot Mounting Brackets

Item #	Description	W	D	H	Est. Lbs.	List Price
LTD-WMB	Depot Wall Mount Brackets	2"	12-1/8"	22-1/8"	13	103.00

Compatible with stationary Laptop, Tablet, QwikLink and Netbook Depots, standard models only. Not compatible with cart models.



TekStak™ - Charging

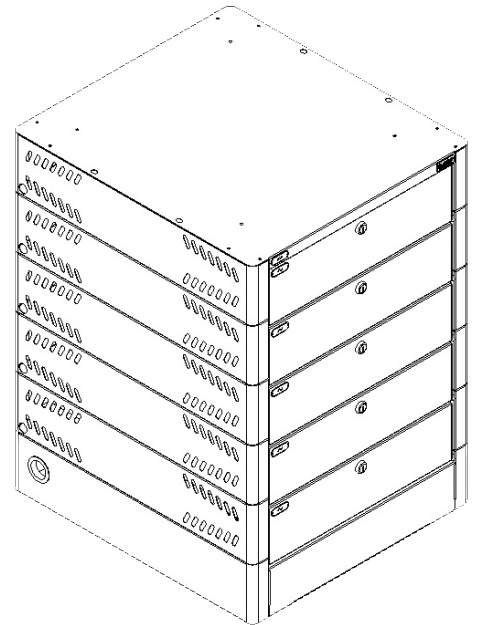
Item #	Description	W	D	H	Est. Lbs.	List Price
TEKSE5-K	5 high, key locks	20"	22"	28-3/8"	99	1,156.00
TEKSE5-H	5 high, padlock hasps	20"	22"	28-3/8"	99	1,156.00
TEKSE5-C	5 high, electronic locks	20"	22"	28-3/8"	104	2,030.00
TEKSE10-K	10 high, key locks	20"	22"	52-1/8"	148	1,978.00
TEKSE10-H	10 high, padlock hasps	20"	22"	52-1/8"	148	1,978.00
TEKSE10-C	10 high, electronic locks	20"	22"	52-1/8"	153	3,791.00

***Bay Interior Dimensions: 16-3/4"W x 20-7/8"D x 4"H**

TekStak™ - Non-Charging

Item #	Description	W	D	H	Est. Lbs.	List Price
TEKS5-K	5 high, key locks	20"	22"	28-3/8"	94	976.00
TEKS5-H	5 high, padlock hasps	20"	22"	28-3/8"	94	976.00
TEKS5-C	5 high, electronic locks	20"	22"	28-3/8"	99	1,850.00
TEKS10-K	10 high, key locks	20"	22"	52-1/8"	143	1,743.00
TEKS10-H	10 high, padlock hasps	20"	22"	52-1/8"	143	1,743.00
TEKS10-C	10 high, electronic locks	20"	22"	52-1/8"	148	3,555.00

***Bay Interior Dimensions: 19-3/4"W x 20-7/8"D x 4"H**



TEKSS-K

TekStak™ Accessories

Suffix	Description	W	D	H	Est. Lbs.	List Price
LT	Laminate top	20-1/2"	22-1/2"	1-1/8"	7	139.00
DB	Drawer base	20"	22"	7-9/16"	15	246.00
AS	Access Shelf - bottom 5 bays only	14"	21"	3/4"	10	334.00

All TekStak™ Units:

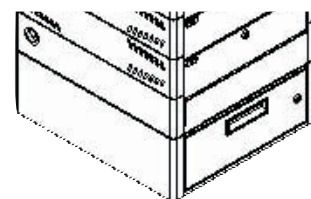
All options are factory install only.

Padlock hasps do not include padlocks.

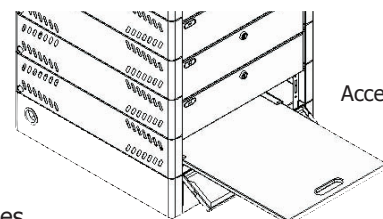
Electronic lock is a 4 digit code. Includes 2 year warranty.

Please note on PO if adding units to existing inventory to avoid duplicate key codes.

Key locked units are keyed differently.



Drawer Base



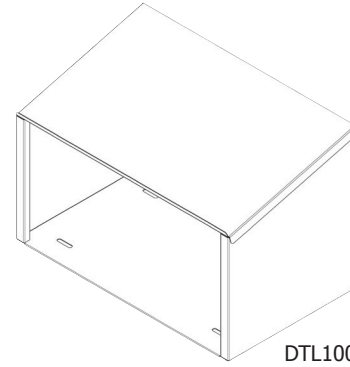
Access Shelf

Lecterns & Podiums

Ships assembled.

Desktop Lectern™

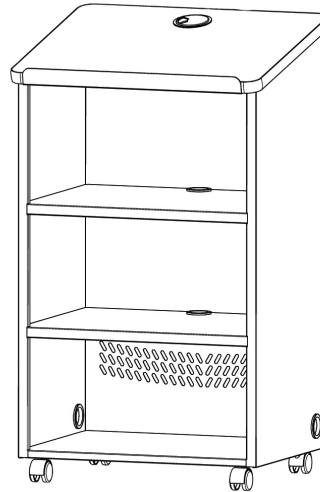
Item #	W	D	H	Est. Lbs.	List Price
DTL100	19-1/4"	11-1/2"	12-3/4"	13	158.00



DTL100

Mobile Podium

Item #	W	D	H	Est. Lbs.	List Price
ML100	25-1/4"	20-5/8"	44-3/4"	98	536.00



ML100



DATUM[®]
storage solutions

89 Church Road • P. O. Box 355
Emigsville, PA 17318-0355
Factory: 1-800-828-8018
National: 1-800-FILING-1 • Fax: 1-888-FILING-1 (345-4641)
www.datumstorage.com • sales@datumstorage.com